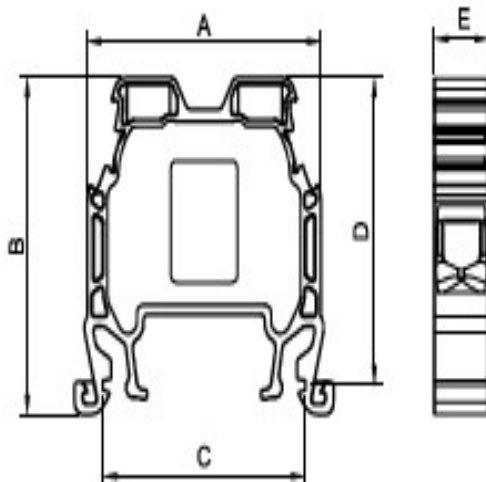




MRK 10mm² SCREW CONNECTION RAIL TERMINAL BLOCK



Product code: 1042



Dimensions

Dimensions (mm)	
A	40
B	40
C	34.5
D	36.5
E	9.5

Materials

Body	PA6.6	
Bridge	Copper	
Contact	CK45 Steel	
Screw	Steel	
Temperature	-40°C,+140°C	
Cable Strip L.	12mm	
Torque	0,8Nm	
Data	TSE/CE	UL
Voltage	750V	600V
Current	57A	57A
Section	10mm ²	8AWG
Norm	EN-60947-7-1	UL1059

Color

	V2	V0	
Colour	Order No	Order No	Pcs.
Grey	1042	0792	100
Cream	1043	0793	100
Black	1044	0794	100
Blue	1045	0795	100
Brown	1046	0796	100
Red	1047	0797	100
Yellow	1048	0798	100
Green	1049	0799	100

Cross

Order No	Section	Pcs.
1940	10/2	100
1941	10/3	50
1942	10/4	50
1943	10/10	15
1944	10/20	10

Stopper

Stopper-1202,1212,1222

Sticker

Group Sticker-1232

Marking

