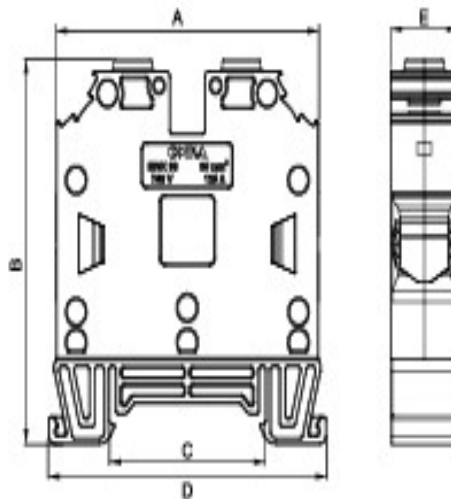




MRK 35mm² SCREW CONNECTION RAIL TERMINAL BLOCK



Product code: 1062



Dimensions

Dimensions (mm)	
A	58
B	63.2
C	34.5
D	61.2
E	15

Materials

Body	PA6.6	
Bridge	Copper	
Contact	CK45 Steel	
Screw	Steel	
Temperature	-40°C,+140°C	
Cable Strip L.	18mm	
Torque	2,0Nm	
Data	TSE/CE	
Voltage	750V	
Current	125A	
Section	35mm ²	
Norm	EN-60947-7-1	

Color

	V2	V0	
Colour	Order No	Order No	Pcs.
Grey	1062	0812	30
Cream	1063	0813	30
Black	1064	0814	30
Blue	1065	0815	30
Brown	1066	0816	30
Red	1067	0817	30
Yellow	1068	0818	30
Green	1069	0819	30

Cross

Order No	Section	Pcs.
2266	35/2	50
2267	35/3	40
2268	35/4	40
2269	35/5	25
2274	35/10	10

Stopper

Stopper-1202,1212,1222

Sticker

Group Sticker-1232

Marking

