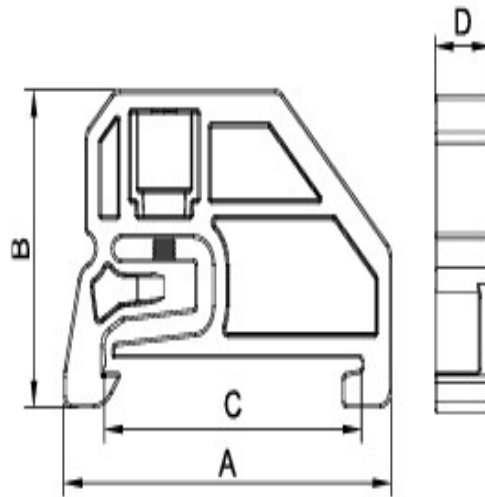




MRK AND OPK SERIES MINI END BRACKET



Product code: 1222



Dimensions

Dimensions (mm)	
A	43
B	30
C	34.5
D	7.5

Materials

Body	PA
------	----

Screw	Steel
Temperature	-40°C,+140°C
Pcs	100

Marking

Marking-9770/4440/4442/9540/5443/4390