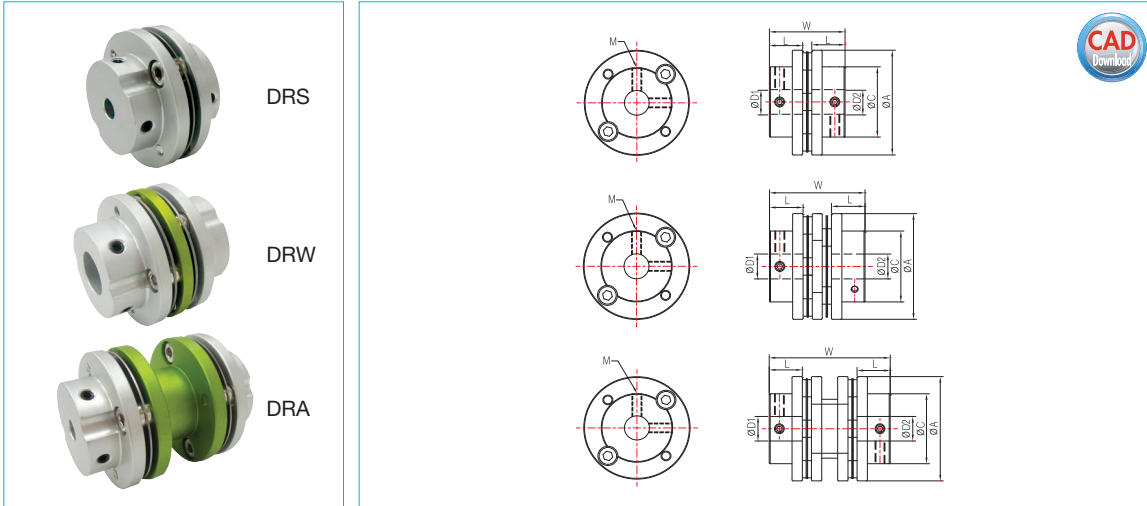


Coupling **DRS | DRW | DRA** (Set Screw Type)

Order method **DRWA-42-Ø8×Ø10**
Product No. D1 D2



Product NO.	Dimension(mm)				Tightening Screw		Rated Torque	Max. Torque	Max. RPM	Moment of Inertia	Torsional Stiffness	Angle	Parallel	End Play	Mass
					Size	Torque									
	A	C	L	W	M	N · m	N · m	N · m	min ⁻¹	kg · m ²	N · m/rad	°	mm	± mm	g
DRS-42	42.5	28.5	13.5	30.7	M4	1.7	8	16	10,000	1.7 × 10 ⁻⁵	6,000	1	0.02	0.3	65
DRWA-42	42.5	28.5	13.5	38.4	M4	1.7	8	16	10,000	2.1 × 10 ⁻⁵	3,500	2	0.3	0.6	84
DRWB-42	42.5	28.5	13.5	44.9	M4	1.7	8	16	10,000	2.4 × 10 ⁻⁵	3,500	2	0.3	0.6	94
DRAA-42	42.5	28.5	13.5	49.3	M4	1.7	8	16	10,000	2.7 × 10 ⁻⁵	3,500	2	0.3	0.6	105
DRAB-42	42.5	28.5	13.5	57.7	M4	1.7	8	16	10,000	2.8 × 10 ⁻⁵	3,500	2	0.3	0.6	110
DRAC-42	42.5	28.5	13.5	67.1	M4	1.7	8	16	10,000	2.9 × 10 ⁻⁵	3,500	2	0.3	0.6	115
DRS-47	47	32.3	14	32	M5	4	13	26	10,000	2.7 × 10 ⁻⁵	6,000	1	0.02	0.3	91
DRWA-47	47	32.3	14	40	M5	4	13	26	10,000	3.4 × 10 ⁻⁵	4,000	2	0.3	0.6	115
DRWB-47	47	32.3	14	44.1	M5	4	13	26	10,000	3.6 × 10 ⁻⁵	4,000	2	0.3	0.6	120
DRAA-47	47	32.3	14	57	M5	4	13	26	10,000	4.2 × 10 ⁻⁵	4,000	2	0.3	0.6	140
DRAB-47	47	32.3	14	83	M5	4	13	26	10,000	4.7 × 10 ⁻⁵	4,000	2	0.3	0.6	160
DRS-54	54	38	19	42.6	M5	4	23	46	10,000	4.9 × 10 ⁻⁵	13,000	1	0.02	0.3	130
DRW-54	54	38	19	55.1	M5	4	23	46	10,000	6.7 × 10 ⁻⁵	9,000	2	0.3	0.8	177
DRAA-54	54	38	19	70	M5	4	23	46	10,000	9.0 × 10 ⁻⁵	9,000	2	0.3	0.8	230
DRAB-54	54	38	19	84	M5	4	23	46	10,000	1.1 × 10 ⁻⁴	9,000	2	0.3	0.8	250
DRS-64	64	47.5	26	56.9	M8	15	32	64	10,000	1.8 × 10 ⁻⁴	20,000	1	0.02	0.4	292
DRW-64	64	47.5	26	74	M8	15	32	64	10,000	2.2 × 10 ⁻⁴	13,000	2	0.3	0.8	373
DRA-64	64	47.5	26	89.2	M8	15	32	64	10,000	2.7 × 10 ⁻⁴	13,000	2	0.3	0.8	450

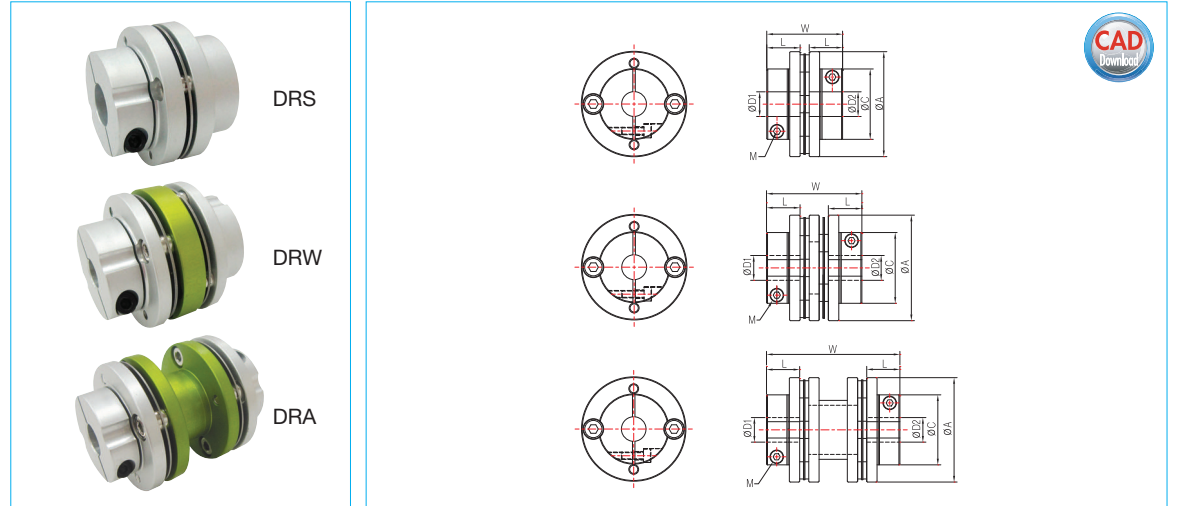
Mass and Moment of inertia are measured with max bore size.

Product NO.	Standard Inner diameter(D1, D2) (mm)																											
	6	6.35	7	8	9	9.525	10	11	12	12.7	14	15	15.875	16	18	19	20	21	22	24	25	26	28	30	32			
DR□-42	•	•	•	•	•	•	•	•	•	•	•	•	•	•	○													
DR□-47				•	•	•	•	•	•	•	•	•	•	•	•	•												
DR□-54						•	•	•	•	•	•	•	•	•	•	•	•											
DR□-64										•	•	•	•	•	•	•	•	•	•	•	•	•	•	•	○	○		

○ : Axis penetration is impossible.

Coupling **DRS | DRW | DRA** (Clamp Type)

Order method **DRWA-42C-Ø8×Ø10**
Product No. D1 D2



Product NO.	Dimension(mm)				Tightening Screw		Rated Torque	Max. Torque	Max. RPM	Moment of Inertia	Torsional Stiffness	Angle	Parallel	End Play	Mass
					Size	Torque									
	A	C	L	W	M	N · m	N · m	N · m	min ⁻¹	kg · m ²	N · m/rad	°	mm	± mm	g
DRS-42C	42.5	28.5	13.5	30.7	M3	2	8	16	10,000	1.7 × 10 ⁻⁵	6,000	1	0.02	0.3	65
DRWA-42C	42.5	28.5	13.5	38.4	M3	2	8	16	10,000	2.1 × 10 ⁻⁵	3,500	2	0.3	0.6	84
DRWB-42C	42.5	28.5	13.5	44.9	M3	2	8	16	10,000	2.4 × 10 ⁻⁵	3,500	2	0.3	0.6	94
DRAA-42C	42.5	28.5	13.5	49.3	M3	2	8	16	10,000	2.7 × 10 ⁻⁵	3,500	2	0.3	0.6	105
DRAB-42C	42.5	28.5	13.5	57.7	M3	2	8	16	10,000	2.8 × 10 ⁻⁵	3,500	2	0.3	0.6	110
DRAC-42C	42.5	28.5	13.5	67.1	M3	2	8	16	10,000	2.9 × 10 ⁻⁵	3,500	2	0.3	0.6	115
DRS-47C	47	32.3	17	38	M4	4	13	26	10,000	3.2 × 10 ⁻⁵	6,000	1	0.02	0.3	108
DRWA-47C	47	32.3	17	46	M4	4	13	26	10,000	3.6 × 10 ⁻⁵	4,000	2	0.3	0.6	120
DRWB-47C	47	32.3	17	50.1	M4	4	13	26	10,000	3.9 × 10 ⁻⁵	4,000	2	0.3	0.6	132
DRAA-47C	47	32.3	17	63	M4	4	13	26	10,000	4.5 × 10 ⁻⁵	4,000	2	0.3	0.6	152
DRAB-47C	47	32.3	17	89	M4	4	13	26	10,000	5.1 × 10 ⁻⁵	4,000	2	0.3	0.6	172
DRS-54C	54	38	21.5	47.6	M5	8	23	46	10,000	5.5 × 10 ⁻⁵	13,000	1	0.02	0.3	145
DRWA-54C	54	38	21.5	60.1	M5	8	23	46	10,000	7.2 × 10 ⁻⁵	9,000	2	0.3	0.8	192
DRAA-54C	54	38	21.5	75	M5	8	23	46	10,000	9.0 × 10 ⁻⁵	9,000	2	0.3	0.8	240
DRAB-54C	54	38	21.5	88.9	M5	8	23	46	10,000	1.1 × 10 ⁻⁴	9,000	2	0.3	0.8	266
DRS-64C	64	47.5	26	56.9	M6	13	32	64	10,000	1.8 × 10 ⁻⁴	20,000	1	0.02	0.4	292
DRW-64C	64	47.5	26	74	M6	13	32	64	10,000	2.2 × 10 ⁻⁴	13,000	2	0.3	0.8	373
DRA-64C	64	47.5	26	89.2	M6	13	32	64	10,000	2.7 × 10 ⁻⁴	13,000	2	0.3	0.8	450

Mass and Moment of inertia are measured with max bore size.

Product NO.	Standard Inner diameter(D1, D2) (mm)																											
	6	6.35	7	8	9	9.525	10	11	12	12.7	14	15	15.875	16	18	19	20	21	22	24	25	26	28	30	32			
DR□-42C	•	•	•	•	•	•	•	•	•	•	•	•	•	•	○													
DR□-47C				•	•	•	•	•	•	•	•	•	•	•	•	•												
DR□-54C						•	•	•	•	•	•	•	•	•	•	•	•											
DR□-64C										•	•	•	•	•	•	•	•	•	•	•	•	•	•	•	○	○		

○ : Axis penetration is impossible.